

Zenith HydroTap[®] Miniboil[®] Classic & Elite

Super-compact economy models for filtered boiling water and filtered ambient water

Choice of two styles

Classic



Elite



Touch pad control panel.
Nothing could be simpler.

Features

- Super-compact, super-simple instant boiling water system for home kitchens.
- Press the red touch pad and safety lock together for filtered boiling water, instantly. No more waiting for water to boil for tea, coffee and cooking.
- Press the blue touch pad for filtered ambient water, instantly. Great tasting freshly filtered water for cool drinks and cooking.
- Permanent safety lock requires two finger operation to access boiling water.
- Temperature status indicator light signals when boiling water is ready to use.
- Filter warning light signals when the water filter cartridge replacement is due.

Super compact under sink unit with external filter system

- Makes it easy to install where sink cupboard space is limited.
- PLUS internal boiling water pump for steady continuous flow.
- Water dispenses at set temperature from the first drop. No waste.
- PLUS cool-touch tap head and body.

Superior triple action sub-micron filtration ensures crystal clear, great tasting, healthier water

- 1) Removes impurities smaller than one thousandth of a millimetre, including Cryptosporidium and Giardia. Reduces dirt, rust, asbestos fibres and other suspended impurities.
- 2) Removes chlorine plus other tastes and odours to leave water crystal clear and odourless.
- 3) Reduces common limescale build up inside the tank.



Zenith HydroTap Miniboil Classic & Elite

Product Selection Chart

Zenith Model	Boiling Water	Chilled Water	Hot Water	Cold Water	Order Code	Boiling Chamber	Chilled Chamber	Total Rating	Under-Sink W x D x H
Miniboil BA Classic	✓	-	-	✓	39118NZ	1.8 litres	-	1.5 kW	212 x 272 x 338
Miniboil BA Elite	✓	-	-	✓	39119NZ	1.8 litres	-	1.5 kW	212 x 272 x 338

Technical Features

Power-Pulse™ energy saving technology reduces power consumption by electronically regulating power usage during high and low usage periods. Also controls water temperature to within 0.2°C of the set temperature during periods of inactivity.

Sleeps-when-inactive feature automatically powers down after 2 hours of non-use, maintaining water temperature at an energy saving 64°C when selected. Quickly recovers to pre-set boiling temperature when re-used.

Installation Requirements

Zenith Miniboil is an open outlet, vented system designed to operate at 98°C. The boiling point of water varies according to altitude. Adjustment of the factory set boiling point can be made during installation.

Location

The Zenith Miniboil tap may be installed to flow into a sink, or be installed away from a sink on a Zenith Miniboil "font" accessory which is plumbed to waste. For tap installations a 35 mm hole is required.

Plumbing

Must be installed by a qualified technician in accordance with instructions supplied with the product and with AS/NZS 3500 plumbing regulations.

Water supply must be potable (drinkable), with a minimum pressure of 140 kPa.

The unit comes complete with a pressure limiting valve however an isolation valve (not supplied) must be installed between the water supply and the under sink system.

The under sink system must be located directly beneath the tap the maximum being up to 1000 mm away. Under sink tubing must be taut for proper drainage and never be looped or coiled.

Electrical

Plugged to a 10 Amp GPO within 1000 mm. Power supply 220 V to 240 V AC 50/60 Hz. Install in accordance with AS/ NZS 3350 safety regulations.

Clearances

The under sink system must be installed with clearances of 50 mm left and right, 200 mm above and 60 mm rear.

Filtration

Using a sub-micron filter in areas with excessively high levels of sediment in the water supply may require the filter to be changed more frequently than practical.

In such areas, a 5 micron filter may be substituted after the first filter change.

The Zenith 5 micron filter removes general contaminants and sediment, plus chlorine taste and odour, but will not filter out parasites such as Cryptosporidium and Giardia.

Accessories

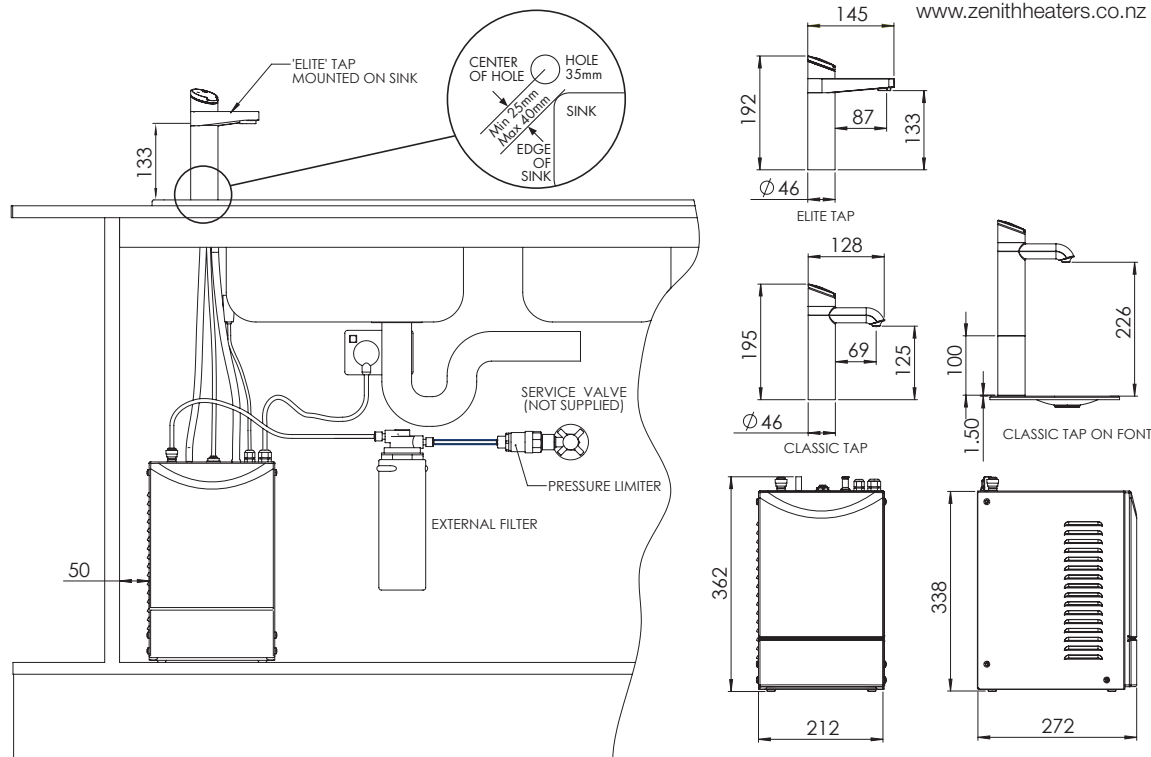
- 90046NZ Tap Font Kit including Tap Extension
- 90026NZ 100 mm Tap Extension
- 91240NZ sub-micron replacement filter
- 91241NZ 5 micron replacement filter

Warranty

12 months parts and labour warranty. For full warranty details please visit www.zenithheaters.co.nz

Technical Assistance

Contact Zenith Heaters Ltd
Unit 2/15 Moselle Avenue, Henderson
Auckland 0610
New Zealand
T: 0800 558 055
F: 0800 559 055
www.zenithheaters.co.nz



The terms, Zenith, HydroTap, Miniboil and Power-Pulse are Trademarks