

ZIP

INSTANT BOILING WATER 24 HOURS A DAY



NO MORE WAITING FOR WATER TO BOIL

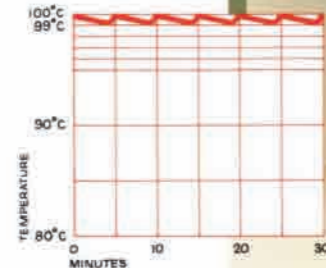
Zip Miniboil gives instant boiling water at the touch of a tap for coffee, tea, soup and all cooking!

- **SAVES STAFF**
- **SAVES TIME**
- **SAVES POWER**
– can pay for itself with the power it saves when you switch from kettles and urns.
- **SAVES MAINTENANCE**
it's fully automatic and steam-free!

World-first technological breakthrough!

Zip Miniboil's world-patented controls are designed to keep the water within 1°C of boiling point. That's better than any other boiling water heater on the market today. Yet there's no steam! Zip's unique condensing cowl condenses the steam back into the unit to protect surrounding paintwork and furnishings. And only Zip has patented safety controls to protect against any power or water failure.

Zip performance leads the way!



Zip Miniboil. Typical standby temperature.

Instant boiling water an Australian first!

The Zip Miniboil is the world's first small Instant Boiling Water heater. Conceived and designed by Zip Heaters (Aust.) Pty. Ltd., the Zip Miniboil is now used by most leading companies and organisations across Australia. You'll find Zip in the new Parliament House, Canberra, Grosvenor Place, Sydney, the Rialto, Melbourne and the W.A.C.A., Perth. Offices, Clubs, Hospitals, Government Departments, Factories and Schools have made the money-saving switch to Zip. Your company will benefit, too.



Winning world acclaim

Be it a bank in Singapore, a hotel in Hong Kong or a hospital in the Sultanate of Oman, the demand for Zip Miniboils continues to increase worldwide.

No more waiting for water to boil at home, either!

Choose ZIP MINIBOIL over your sink...

...or ZIP TEA TAP under it.



Instant boiling water 24 hours a day!

Zip Miniboil puts boiling water on tap for tea, coffee, soup and all cooking. There's no filling – it's fully automatic and steamfree. Choose Neutral White or Stainless Steel to mirror your kitchen colours.

Steaming hot water at a touch for hot drinks, vegies, recipes!

Tea Tap heater hides under your sink with only the graceful chrome tap visible. Tap is designed to be child-proof and swivels away when not in use. Clean, classic design complements any decor. Ideal for homes and family-sized offices.

For further details contact Zip or your nearest Distributor.



Zip Miniboil has won the coveted Australian Design Award for outstanding design and manufacturing excellence.

How to choose the right Zip

Simply determine how many cups of boiling water are required at any one time, then refer to the Selection Chart. Zip's recovery rate will ensure a constant supply of boiling water.

Optional extras

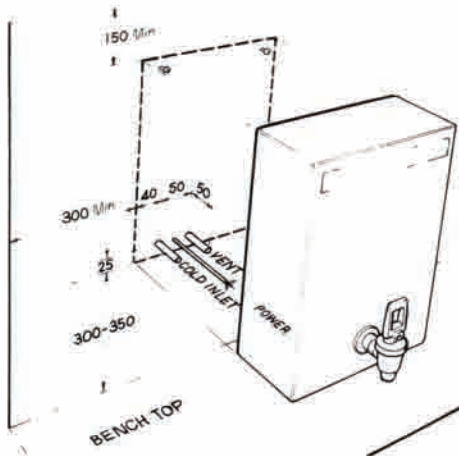
Additional Side Outlets Available on all models from 10 litres and above.

Taps Telescopic extension spouts and fixed swivel spouts are available.

Finish Baked white enamel is standard. Stainless steel is optional.

How to install Zip

Zip Miniboil can be installed in minutes wherever there's power and cold water. There's provision for concealed plumbing and electrical connection and for additional outlets if required. Full details are supplied with the heater.



Layout of Zip Miniboil above sink draining board. Allow clearance on one side of, and above, heater.

AVAILABLE FROM:

No. of Cups Required at any one time	Recovery Rate Cups per min.	Model No.	Model Name	Element Rating kW	Capacity litre	Width mm	Depth mm	Diameter mm	Height mm
15	1	2.5/15*	Miniboil	1.5	2.5	250	145		350
30	1	5/30*	Miniboil	1.5	5	310	145		460
45	1	7.45/45*	Hydroboil	1.5	7.5	310	180		460
60	1	10/60	Hydroboil	2.0	10	335	200		625
100	2	15/100	Hydroboil	2.4	15	370	285		625
150	3	25/150	Hydroboil	3.6	25	510	280		625
200	4	35/200	Hydroboil	2.4x2	35	650	280		625
300	6	50/300	Hydroboil	3.6x2	50	855	280		625
400	6	75/450	Hydroboil	3.6x2	75	855	420		625
550	6	100/600	Hydroboil	3.6x2	100	1075	420		625
700	6	115	Cylindrical	3.6x2	115			750	728
800	6	140	Cylindrical	3.6x2	140			750	814
950	9	160	Cylindrical	3.6x3	160			750	888
1100	9	185	Cylindrical	3.6x3	185			750	974
1400	9	230	Cylindrical	3.6x3	230			750	1129

* Fitted with flex and plug.

How to specify Zip

Architects' Sample Specification Guide

Zip Instant Boiling Water Heater
Model No.: to comply with the following specification.

1. Designed to contain water within 1°C of boiling point at all times when in operation.
2. To contain steam within the unit by means of internal condenser system.
3. To have inbuilt temperature and pressure safety controls which will, prior to the generation of excess steam, automatically cut off power in the event of:
 - i) thermostat failure
 - ii) water supply failure
 - iii) blocked vent pipe
4. To have provision for concealed plumbing and electrical connections.
5. The heater is to be installed in accordance with the manufacturer's instructions.

The Zip Guarantee

Every Zip water heater is guaranteed against faulty materials and workmanship for a full 12 months. The inner tank carries a 5 year Extended Warranty. Full details are supplied with the heater.

Zip

World leaders in boiling water.

Zip Heaters (Aust.) Pty. Ltd., Myrtle Street, Marrickville, NSW 2204. Phone (02) 559 4144

Adelaide: (08) 276 9673

Brisbane: (07) 265 1657

Canberra: (062) 80 5802

Darwin: (089) 84 4193

Hobart: (002) 34 2040

Melbourne: (03) 568 6811

Newcastle: (049) 62 1980 or 26 1499

Perth: (09) 344 7500 or 446 5400

Sydney: (02) 559 4144

Townsville: (077) 79 0177