

# Zip Filter Tap

Cold Water filtration (unchilled)



52072 - Filter Tap - Double filter



52073 - Filter tap - Double filter

**Zip**<sup>®</sup>

## Read these Warnings First

Please read all installation requirements, installation procedures and precautions before installing any Zip Filter Tap.

Never attempt to install any Zip Filter Tap without reading all of the applicable instructions.

The outlet from any Zip Filter must be connected directly to an outlet spout on the sink and must not be obstructed by a tap or valve or in any other way.

All plumbing connections must be made in accordance with AS/NZS3500.

Before installing, ensure there is cold water supply with a minimum working pressure of 70 kPa and a maximum supply pressure of 2100 kPa.

The combination DNR and PR Valve supplied, will automatically reduce the operating pressure to between 350 and 650kpa.( recommended operating range )

The system should not be operated at pressures higher than 700kpa

## Installation Instructions

### Install the filtration unit

The filtration unit should be mounted as close as possible to the front of the cupboard, to allow for ready and easy access during filter changes.

Usually the side of the cupboard, near the door, is most suitable.

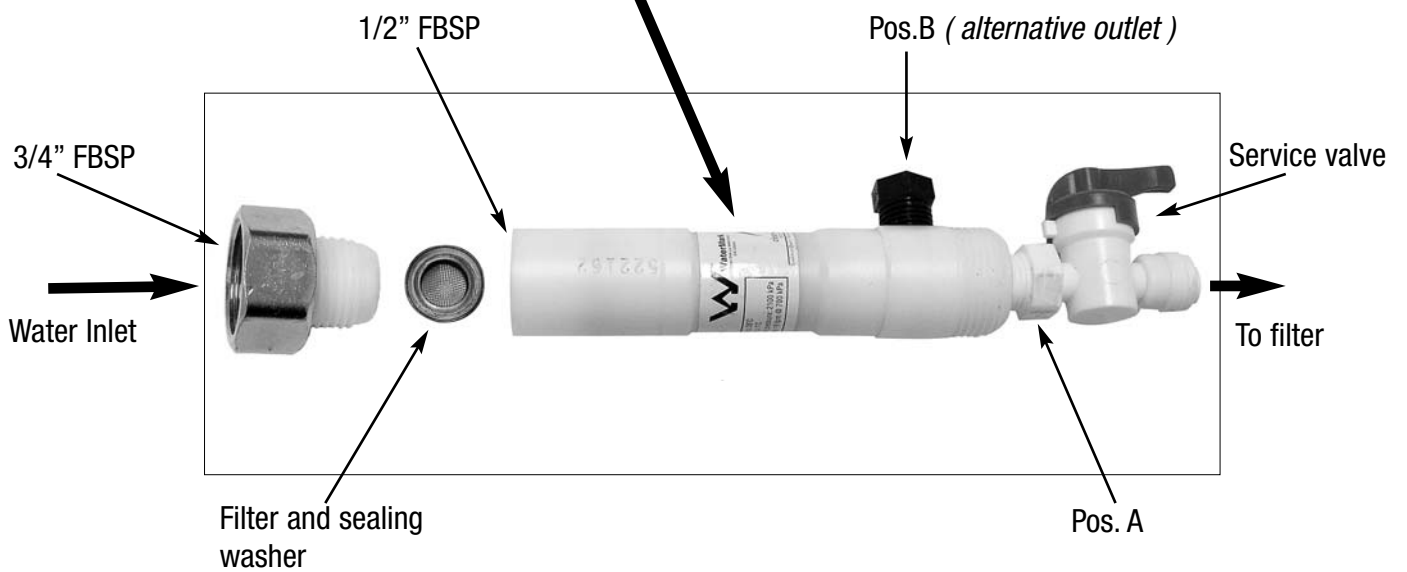
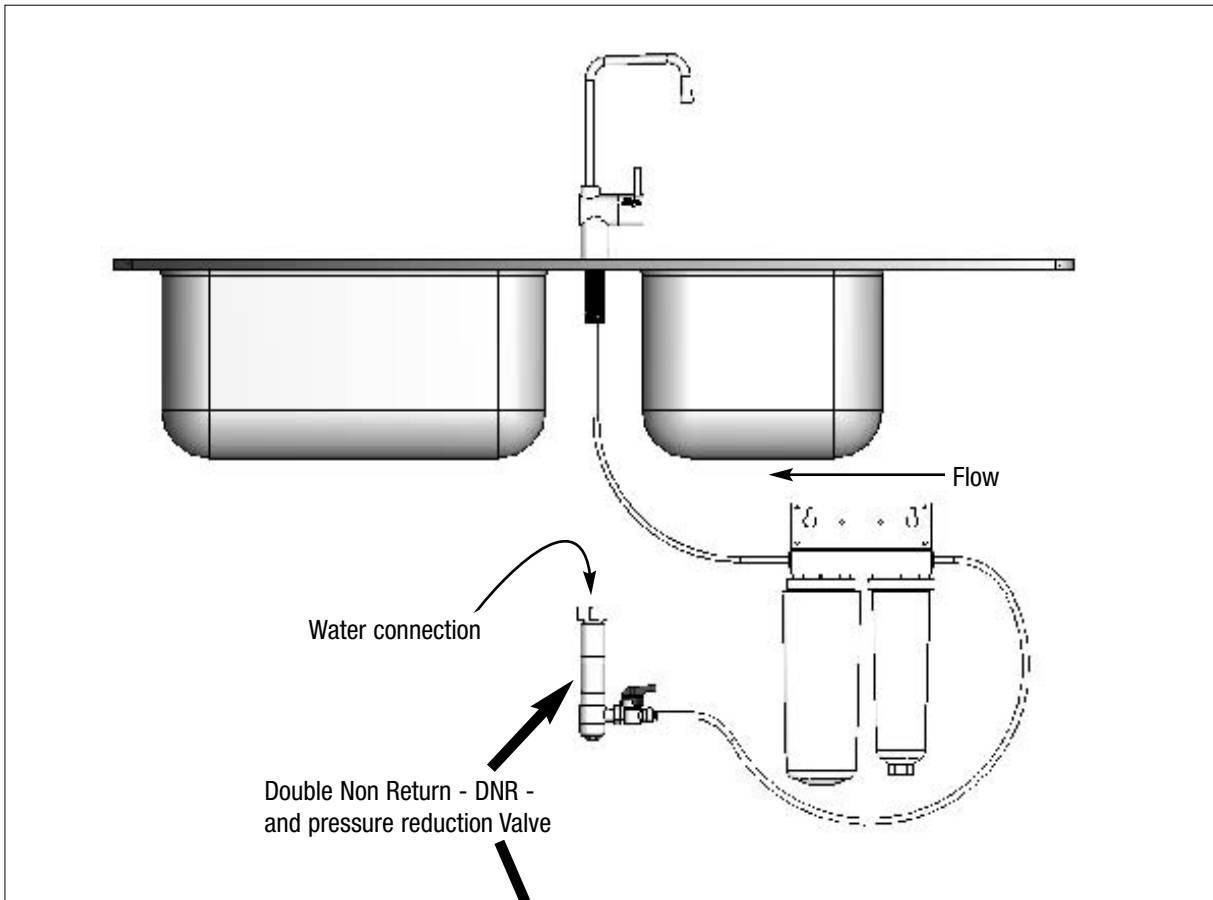
Using the two screws provided, screw the filter head to the inside of the cupboard, allowing 260 mm minimum between the underside of the filtration head and any obstructions like shelves, etc.

Write the installation date on the filter cartridge. Fit the cartridges into the housing ensuring the pre filter is fitted upstream of the main filter. The model you have may appear slightly different to that illustrated, however, operation and function is identical.

To assemble the filter, align the tabs of each cartridge with the filter housing and insert it into the socket. Turn each cartridge a quarter turn to the right until it stops and locks into position.

Check that the direction of flow on the filter head is correct.

# Plumbing connections



## Installation Instructions

### Install the Filter Tap

Position the filter tap at the back of the sink where there is a 45 mm wide flat area within the draining areas of the sink. The recommended position is over one corner of the bowl. Make sure the selected position allows the spout to overhang the sink bowl.

The cutout size is 25 mm. Mark the centre of the new Filter Tap position on the sink with a centre punch. Drill out the centre of the hole to allow the screw of a sheet metal punch to pass through the sink. Use a 25 mm sheet metal punch to neatly open up the hole.

Remove the nut and washer from the base of the Filter Tap, and pass the tubing through the sink until the Filter Tap sits upright within the hole you just created in the sink surround.

Orient the Filter Tap so that the activating lever is in an accessible position. Slide on the washer and nut from beneath the sink, and tighten the nut to secure the Filter Tap firmly into place.

Use a tube cutter to cut the end off the tubing neat and square, so that there are no dags or rough edges. Shake the tube vertically to allow any debris to fall out of the tube before inserting it into the filter head.

Connect the Clear tube from the tap to the outlet side of the filter by pushing the ends of the tube firmly into the John Guest socket on the filter head.

Cut a suitable length of tubing to connect from the Double Non Return valve to the inlet of the filter housing.(see diagram on P3.)

When connecting to John Guest fittings, the tube must push in at least 10 mm. Test the connection by trying to pull the tube out. If it comes out, re-insert it so that it won't come out when pulled against.

Take care, when bending plastic tubing, prevent it from kinking or crushing on a bend.

Do not connect the tubes in any other arrangement than that described here. The filter cartridge and the Filter Tap have directional flow connections that will not work if connected incorrectly. Incorrect installation will void any product warranty.

Note that the flow direction of the filter housing is indicated on the filter housing.

## Installation Instructions ctd

**Install the DNR valve.** ( see diagrams on Page 3. )

The DNR valve must be connected downstream of an accessible isolation tap. The 3/4" F- BSP threaded section on the inlet end of the DNR valve may be connected directly to an isolation tap.

**NOTE:** The centre of the 3/4" fitting may be removed with an allen key to allow for direct connection to a 1/2" BSP Tap. Remember to re-fit the filter and sealing washer.

Alternatively, the DNR valve may be positioned so that it can be seated into a retaining clip screwed to the cupboard wall.

Take the one metre clear tube from the filter kit.

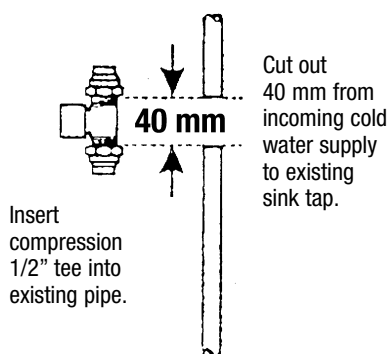
Cut the tube to length where the DNR valve is to be installed.

Insert the tube end into the (JG) fitting on the side of the DNR valve.

Insert the other end of tube into the (JG) fitting on the Inlet side of the filter head. Note the directional arrows on the body of the Valve. It must end up connected so that they point in the direction of the Flow. (see diag P.3.)

The valve may be positioned vertically or horizontally.

When mounted horizontally the service tap may be fitted to one of two outlet port positions i.e axially in line (Pos A) or at 90 degrees (Pos B). When changing the outlet position remember to refit the black sealing plug to the un-used port.



### Connect the water supply

Locate the incoming cold water supply to the existing sink tap and cut out a 40mm section. Insert the 1/2" compression tee into the pipework (as shown). Fit an isolating tap to the tee piece and then attach the DNR valve to the tap.

Ensure the clear tubes are correctly fitted from the DNR valve to the filter and from the filter to the Tap head assembly.

### Fill the system

Turn 'on' the water supply. Check the connections for leaks. Repair any found.

The filter and tubing are full of air until purged, and the filter cartridge requires activation when first installed. Open the operating lever on the Filter Tap for a minimum of five minutes until all of the air has been purged from the system, and the cartridge has time to become fully activated.

Every time the filter cartridge is replaced, repeat this procedure of a five minute flush to activate the new cartridge properly.

**NOTE:** When flushing the system, some black particles may be released into the water. This is normal. The water will become clear after the first few litres.

### Complete the installation

Leave these instructions with the customer..

## Filter Replacement

Not changing cartridges when required may cause the water to become biologically unsafe.

Thoroughly flush the water through if the filter tap has not been used for more than 12 hours. For safe operation, the filter cartridges should be replaced at least every 6-12 months, or earlier if you notice a persistent reduction in water pressure from the Filter Tap, or an unpleasant taste or odour in the water.

Use only a Zip filter cartridge to match that of your Filter Tap. Replacement cartridges can be obtained through plumbing suppliers or directly from Zip.

Replacing a Zip Filtration cartridge is as easy as 1-2-3.

1. Unplug the old cartridge
2. Plug in the new cartridge.
3. Purge the filter system by turning the Filter Tap lever open (on) for a few minutes until the water runs clear.

NOTE: High sediment water areas may require the filters to be changed more frequently.

## Operating Procedures

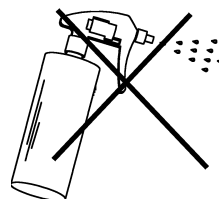


### Operating

You can obtain filtered water within the rated capacity for as long as you rotate the lever. In the upright position the tap is off, when the lever is rotated anticlockwise water will flow. Water will continue to flow until the lever is returned to the upright position.

### Cleaning

Never use strong, corrosive or abrasive cleaning materials on the Zip Filter Tap. Wipe the outer surfaces clean with a sponge or a soft cloth using a mild soap and water.



## Warranty Information

Certain warranties may be implied by law into your contract with Zip. The warranty provided below is additional to these implied warranties and nothing set out below shall limit your statutory rights or rights at law.

Zip Heaters (Aust) Pty Ltd warrants that, should any part fail within 12 calendar months of installation, that part will be repaired or replaced free of charge by Zip or its Distributor or Service Provider, except as set out below, provided the appliance is installed and used strictly in accordance with the instructions supplied, and that failure is not due to accident, misuse, abuse, unsuitable water conditions, or to any alteration, modification or repair by any party not expressly nominated by Zip.

No costs are payable by the customer other than any mileage or travelling-time charges incurred by a Zip Service Provider or the cost of removal, cartage and re-installation of any component of the appliance if it needs to be returned for repair to Zip or its Distributor.

This warranty does not cover damage resulting from non-operation of the appliance, the use of non authorised parts or consequential damage to any other goods, furnishings or property.

Zip does not exclude, restrict or modify any liability that cannot be excluded, restricted or modified or which cannot, except to a limited extent, be excluded, restricted or modified as between the owner or user and Zip under the laws applicable.

Furthermore, this warranty does not displace any statutory warranty, but, to the extent to which Zip is entitled to do so, the liability of Zip under any statutory warranty will be limited at Zip's option to the replacement of the appliance or supply of equivalent appliance, the payment of the cost of replacing the appliance or acquiring an equivalent appliance, or the payment of the cost of having the appliance repaired or the repair of the appliance.

### **Registering Your Purchase**

Registering your Zip installation on the Zip website may help to establish date of installation should it become necessary to service the appliance under terms of the Zip warranty. To register your installation go to [www.zipheaters.com](http://www.zipheaters.com) and look under the heading "Warranty".

## End of life disposal



The use of this crossed out wheeled bin logo indicates that this product needs to be disposed of separately to any other household waste.

Within each of the European Union member countries, provisions have been made for the collection and recycling of unwanted electrical and electronic equipment. Outside of the EU it will be necessary to dispose of this product at your local community waste collection or recycling centre.

In order to help preserve our environment we ask that you dispose of this product correctly. Please contact your local city council for collection centre details

## Contact Details

### Head Office

Zip Heaters (Aust) Pty. Ltd.  
ABN: 46 000 578 727  
67 Allingham Street  
Condell Park NSW 2200  
Postal: Locked Bag 80  
Bankstown 1885 Australia

Website: [www.zipheaters.com](http://www.zipheaters.com)  
Facsimile: (02) 9796 3858  
Telephone: (02) 9796 3100  
Free Call: 1 800 638 633

