

# Zip Filter Tap

Cold Water filtration (unchilled)



52007 Filter Tap (Five Micron Filter) Pacific.

59007 Filter Tap (Sub Micron Filter) Pacific.

**Zip**<sup>®</sup>



## Read these Warnings First

Please read all installation requirements, installation procedures and precautions before installing any Zip Filter Tap.

Never attempt to install any Zip Filter Tap without reading all of the applicable instructions.

The outlet from any Zip Filter must be connected directly to an outlet spout on the sink and must not be obstructed by a tap or valve or in any other way.

All plumbing connections must be made in accordance with AS/NZS3500.

Before installing, ensure there is cold water supply with a minimum working pressure of 50 kPa and a maximum working pressure of 750 kPa.

If pressure may exceed 750 kPa, a pressure limiting valve must be installed.

## Installation Instructions

### Install the filtration unit

The filtration unit should be mounted as close as possible to the front of the cupboard, to allow for ready and easy access during filter changes.

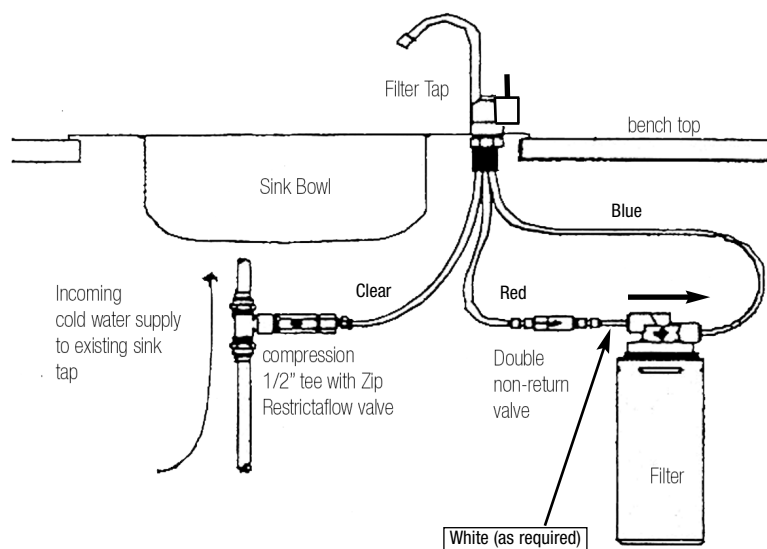
Usually the side of the cupboard, near the door, is most suitable.

Using the two screws provided, screw the filter head to the inside of the cupboard, allowing 260 mm minimum between the underside of the filtration head and any obstructions like shelves, etc.

Write the installation date on the filter cartridge. Fit the cartridge into the housing. The model you have may appear slightly different to that illustrated, however, operation and function is identical.

Align the tabs of the cartridge with the filter housing and insert it into the socket. Turn the cartridge a quarter turn to the right until it stops and locks into position.

Check that the direction of flow on the filter head is correct.



## Installation Instructions

### Install the Filter Tap

Position the filter tap at the back of the sink where there is a 45 mm wide flat area within the draining areas of the sink. The recommended position is over one corner of the bowl. Make sure the selected position allows the spout to overhang the sink bowl.

The cutout size is 25 mm. Mark the centre of the new Filter Tap position on the sink with a centre punch. Drill out the centre of the hole to allow the screw of a sheet metal punch to pass through the sink. Use a 25 mm sheet metal punch to neatly open up the hole.

Remove the nut and washer from the base of the Filter Tap, and pass the tubing through the sink until the Filter Tap sits upright within the hole you just created in the sink surround.

Orient the Filter Tap so that the activating lever is away from the sink bowl. Slide on the washer and nut from beneath the sink, and tighten the nut to secure the Filter Tap firmly into place.

Three tubes hang from the bottom of the Filter Tap; red, clear and blue.

The Clear tube connects to the incoming water supply via the Zip Restrictaflow valve.

The Red tube connects to the inlet of the filter via the DNR valve.

The blue tube connects to the outlet of the filter through a push-fit fitting.

Take care, when bending plastic tubing, prevent it from kinking or crushing on a bend.

Please be careful with the colour and connection of the tubing on the Filter Tap.

Do not connect the tubes in any other arrangement than that described here. The filter cartridge and the Filter Tap have directional flow connections that will not work if connected incorrectly. Incorrect installation will void any product warranty.

Note that the flow direction of the filter housing is indicated on the filter housing.

Measure and cut the blue tube to length so that it runs around the back of the cupboard to the (lower) outlet side of the filter housing. Use a tube cutter to cut the end off the tubing neat and square, so that there are no dags or rough edges. Shake the tube vertically to allow any debris to fall out of the tube before inserting it into the filter head.

Push this end of the blue tube firmly into the John Guest socket on the (lower) outlet side of the filter head.

It must push in at least 10 mm. Test the connection by trying to pull the tube out. If it comes out, re-insert it so that it won't come out when pulled against.

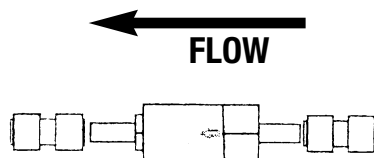
Measure and cut the Red tube of the Filter Tap to length so that it runs around the back of the cupboard from the bottom of the Filter Tap to the (high) inlet side of the filter housing. Leave a little extra slack in this line for the connection of the DNR valve.

Connect the Red tube to the John Guest fitting on the (high) Inlet side of the filter housing, using the same method as described for the blue tube.

## Installation Instructions ctd

### Install the DNR valve

The DNR valve must be inserted into the Red tube between the Filter Tap and the filter cartridge. Ensure the flow is in the correct direction.



Plan the position of the DNR valve so that it can be seated into a retaining clip screwed to the cupboard wall.

Cut the Red tubing where the DNR valve is to be installed. Take two of 1/4 x 5/16" (JG) fitting into each end of DNR valve stem. Push it in firmly until it stops.

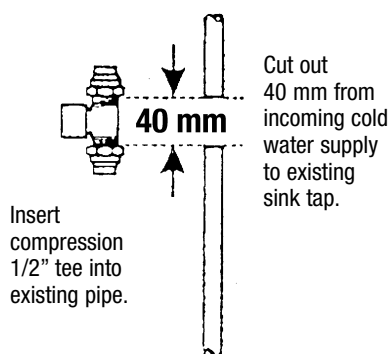
Insert the Red tube end into the (JG) fitting on the left side of the DNR valve.

Take the one metre white tube from filter kit.

Cut the tube to length where the DNR valve is to be installed.

Insert the white tube end into the (JG) fitting on the right side of the DNR valve.

Insert the other end of white tube into the (JG) fitting on the left (Inlet) side of the filter head. Note the directional arrows on the body of the valve. It must end up connected so that they point towards the filter cartridge and away from the Filter Tap.

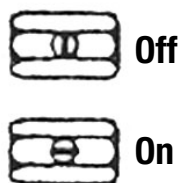


Screw the retaining clip to the cupboard wall using the self-tapping screw provided. Push the DNR valve assembly into the retaining clip so that the clip supports its weight and causes no strain on the tubing.

### Connect the water supply

Locate the existing cold water pipe to the existing cold tap. Cut out approximately 40 mm and connect the 1/2" compression tee into this pipe.

The water inlet valve assembly attached to the tee, is supplied with a Zip Restrictaflow, which can act as a service valve to permit the water supply to be turned 'off' (within the cupboard), for servicing of the Filter Tap, and/or for filter cartridge replacement.



Rotate 90° to operate.

Orient the Restrictaflow so that the adjustable screw always remains visible and accessible. Measure and cut the Clear tube from the Filter Tap to length so that it runs around the back of the cupboard to the end of the water inlet valve assembly. Connect it in the same method as described to connect to the DNR valve, using a brass insert in the end of the tube. Clip all tubes to the cupboard.

### Fill the system

Turn 'on' the water supply. Check the connections for leaks. Repair any found.

The filter and tubing are full of air until purged, and the filter cartridge requires activation when first installed. Flip up the operating lever on the Filter Tap for a minimum of five minutes until all of the air has been purged from the system, and the cartridge has time to become fully activated.

Every time the filter cartridge is replaced, repeat this procedure of a five minute flush to activate the new cartridge properly.

**NOTE:** When flushing the system, some black particles may be released into the water. This is normal. The water will become clear after the first few litres.

### Complete the installation

Leave these instructions with client.

## Filter Replacement

Not changing cartridges when required may cause the water to become biologically unsafe.

Thoroughly flush the water through if the filter tap has not been used for more than 12 hours. For safe operation, the filter cartridge should be replaced at least every 6-12 months, or earlier if you notice a persistent reduction in water pressure from the Filter Tap, or an unpleasant taste or odour in the water.

Use only a Zip filter cartridge to match that of your Filter Tap. Replacement cartridges can be obtained through plumbing suppliers or directly from Zip.

Replacing a Zip Filtration cartridge is as easy as 1-2-3.

1. Unplug the old cartridge
2. Plug in the new cartridge.
3. Purge the filter system by flipping the Filter Tap lever open (on) for a few minutes until the water runs clear.

High sediment water areas.

Zip Filter Tap 59087 is a single filter system suitable for areas in which water supply sediment is not a problem. In areas with heavy sediment contamination, add the Zip Pre-Filter model 51000 with an additional filter housing 50001, for extra sediment removal.

## Operating Procedures

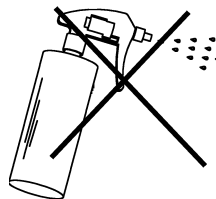


### Operating

You can obtain filtered water within the rated capacity for as long as you rotate the lever. In the upright position the tap is off, when the lever is rotated anticlockwise water will flow. Water will continue to flow until the lever is returned to the upright position.

### Cleaning

Never use strong, corrosive or abrasive cleaning materials on the Zip Filter Tap. Wipe the outer surfaces clean with a sponge or a soft cloth using a mild soap and water.



## Warranty Information

Certain warranties may be implied by law into your contract with Zip. The warranty provided below is additional to these implied warranties and nothing set out below shall limit your statutory rights or rights at law.

Zip Heaters (Aust) Pty Ltd warrants that, should any part fail within 12 calendar months of installation, that part will be repaired or replaced free of charge by Zip or its Distributor or Service Provider, except as set out below, provided the appliance is installed and used strictly in accordance with the instructions supplied, and that failure is not due to accident, misuse, abuse, unsuitable water conditions, or to any alteration, modification or repair by any party not expressly nominated by Zip.

No costs are payable by the customer other than any mileage or travelling-time charges incurred by a Zip Service Provider or the cost of removal, cartage and re-installation of any component of the appliance if it needs to be returned for repair to Zip or its Distributor.

This warranty does not cover damage resulting from non-operation of the appliance, the use of non authorised parts or consequential damage to any other goods, furnishings or property.

Zip does not exclude, restrict or modify any liability that cannot be excluded, restricted or modified or which cannot, except to a limited extent, be excluded, restricted or modified as between the owner or user and Zip under the laws applicable.

Furthermore, this warranty does not displace any statutory warranty, but, to the extent to which Zip is entitled to do so, the liability of Zip under any statutory warranty will be limited at Zip's option to the replacement of the appliance or supply of equivalent appliance, the payment of the cost of replacing the appliance or acquiring an equivalent appliance, or the payment of the cost of having the appliance repaired or the repair of the appliance.

### **Registering Your Purchase**

Registering your Zip installation on the Zip website may help to establish date of installation should it become necessary to service the appliance under terms of the Zip warranty. To register your installation go to [www.zipheaters.com](http://www.zipheaters.com) and look under the heading "Warranty".

## End of life disposal



The use of this crossed out wheeled bin logo indicates that this product needs to be disposed of separately to any other household waste.

Within each of the European Union member countries, provisions have been made for the collection and recycling of unwanted electrical and electronic equipment. Outside of the EU it will be necessary to dispose of this product at your local community waste collection or recycling centre.

In order to help preserve our environment we ask that you dispose of this product correctly. Please contact your local city council for collection centre details

## Contact Details

### Head Office

Zip Heaters (Aust) Pty. Ltd.  
ABN: 46 000 578 727  
67 Allingham Street  
Condell Park NSW 2200  
Postal: Locked Bag 80  
Bankstown 1885 Australia

Website: [www.zipheaters.com](http://www.zipheaters.com)  
Facsimile: (02) 9796 3858  
Telephone: (02) 9796 3100  
Free Call: 1 800 638 633

